

Kit Contents

Description	Part No	Pcs
Top cap nut	60005-41	2
Top cap assembly		2
Spring 26.2/242/5.0	68034-50	2
Spring 26.2/242/6.0	68034-60	2
Sticker Öhlins white	01185-01	2
Sticker Öhlins black	01185-04	2
Sticker Öhlins blue	00192-01	2

Note!

Before installing this product, check the contents of the kit. If anything is missing, please contact an Öhlins dealer.

Warning!

Öhlins cannot be held responsible for any personal injury or damage that may occur after installing the Öhlins spring kit. We strongly recommend to let an Öhlins authorized service center to install this kit.

Warning!

After you have installed this product, take a test ride at low speed to be sure that your vehicle has maintained stability.

Note!

Please note that this image is a general representation of the product and may differ slightly from your product.

Note!

Please note that during storage and transportation, especially at high ambient temperature, some of the oil and grease used for assembling may leak and stain the packaging. This is in no way detrimental to the product, wipe off the excessive oil/grease with a cloth.

Fork Spring Kit for Honda Forza 350

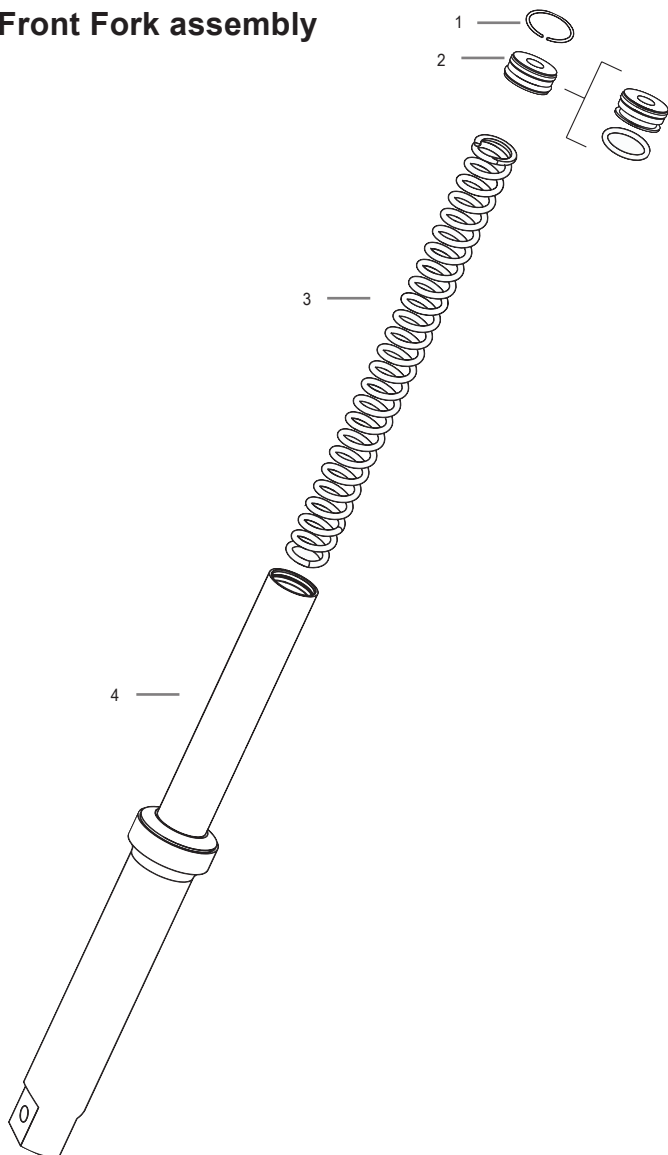
FSK 158

Mounting Instructions



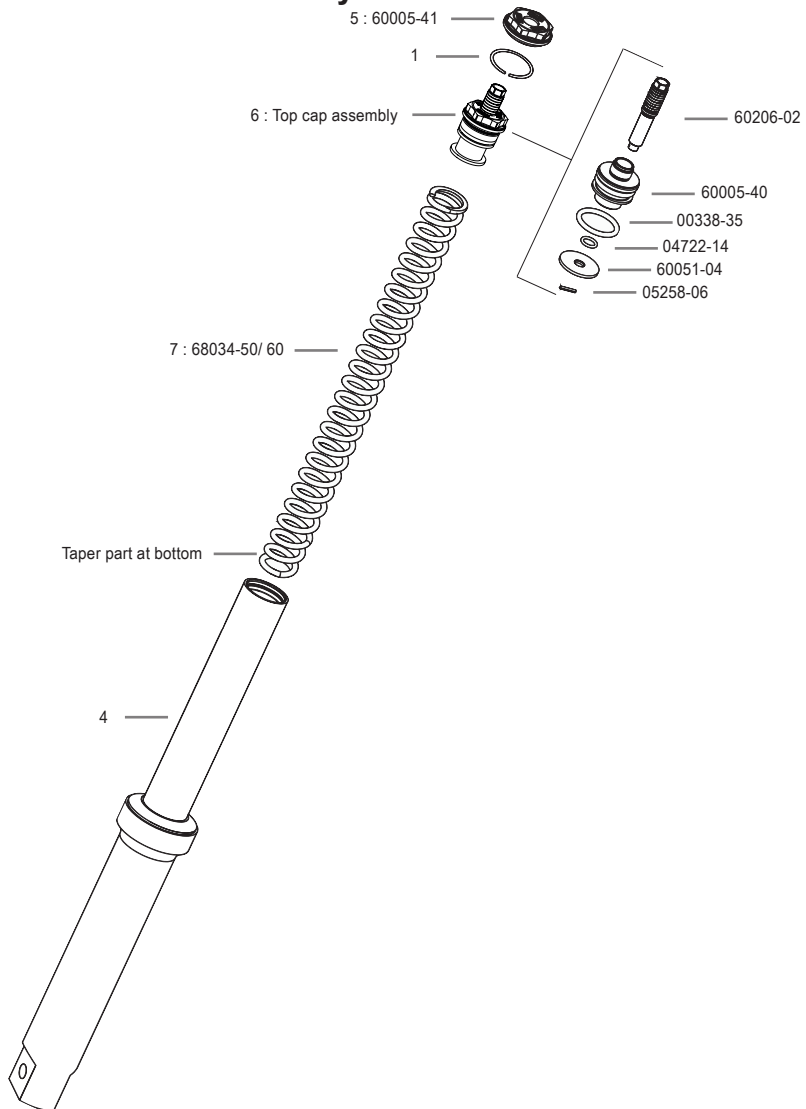
MOUNTING INSTRUCTIONS

Original Front Fork assembly



MOUNTING INSTRUCTIONS

Öhlins Front Fork kit assembly



MOUNTING INSTRUCTIONS

Congratulations!

With this purchase you have made a clear statement. This high performance Front Fork spring kit from Öhlins is nothing but pure racing breed which means that you have taken one more step to eliminate luck on your motorcycle.

The balance between your Front Fork and rear suspension will sharpen up and the performance of your Front Fork will improve. Almost 40 years of racing experience is now a crucial part of your riding experience.

👁️ Note!

Öhlins FSK 158 gives the possibility to adjust the spring preload +10/+25mm.

> Every complete turn equal 1mm adjustment

Recommended oil

For best performance we recommend to use a mix of Öhlins front fork fluid 01314 and 01316 at 1:1 mixing ratio (in a beaker unite 50% of 01314 and 50% of 01316). The final oil viscosity affects how the front fork will behave:

- Higher viscosity mix improves the stability.
- Lower viscosity mix improves the comfort and traction. The oil mixing ratio can be tuned in order to match the rider preferences.

Recommended oil Level

47 mm.

Oil number	01314-01	01316-01
Viscosity cSt @40°C	40,0	98,0
Oil mixing ratio	50%	50%

👁️ Note!

The measurement of oil level is taken from the top of the inner tube (4) to the oil surface.

> The fork leg need to be in vertical position

> The fork need to be fully compressed

> The fork must be without the spring.

👁️ Note!

During the installation of the fork damping kit, please be sure to don't damage the original circlip (1)

👁️ Note!

Apply masking tape on the hexagon surface to avoid damages on the surface during assembling

How to install

- 1.Put the motorcycle on the work stand so that the front wheel barely touch the ground. Make sure the motorcycle is in a stable position.
- 2.Push down the original Top cap (2) in order to remove the circlip (1) by using a picking-tool
- 3.Remove the original Top cap (2) and Spring (3)
- 4.Insert the Öhlins spring (7) and Top cap assembly (6)
- 5.Push down the Top cap assembly (6) and lock it in place with the standard circlip (1) in position.
- 6.Install the Öhlins Top cap (5). Tighten the top cap at torque value ~10N/mm.

👁️ Note!

Öhlins FSK 158 spring 68034-50 rate is 5.0N/mm

Öhlins FSK 158 spring 68034-60 rate is 6.0N/mm

	Recommended spring		
Feeling	Soft	Medium	Hard
RH Leg	68034-50	68034-50	68034-60
LH Leg	68034-50	68034-60	68034-60

👁️ Öhlins products are subject to continuous improvement and development, therefore, although these instructions include the most up-to-date information available at the time of printing, minor updates may occur.

To find the latest information contact an Öhlins distributor. Please contact Öhlins if you have any questions regarding the contents in this document.

Part no. MI_FSK158_EN_0

Issued 2021-02-01

© Öhlins Racing AB. All rights reserved. Any reprinting or unauthorized use without the written permission of Öhlins Racing AB is prohibited.

Öhlins Racing AB
Box 722
SE-194 27 Upplands Väsby,
Sweden Phone +46 8 590 025 00
fax +46 8 590 025 80



www.ohlins.com