



**Note!**

Please note that there can be small differences between your product and the images in these instructions.

**Note!**

Please note that during storage and transport, especially at high ambient temperature, some of the oil and grease used for assembly may leak and stain the packaging. This will not cause damage to the product, wipe off the excessive oil or grease with a cloth.

**Kit Contents**

Description	Part No	Pcs
Shock absorber	HD 772	2
Tool	03199-01	1
Sleeve 12.7/14/19.5	00123-17	4
Washer 12.8/24/6	03118-08	4
Sticker set Öhlins	10207-01	1
Owner's manual	07241-02	1

**Note!**

Before you install this product, check the kit contents. If anything is missing, please contact an Öhlins dealer.

**Warning!**

Before you install this product, read the Öhlins Owner's manual. This product is an important part of the vehicle and the vehicle stability.

## Shock absorber for Harley Davidson FL

# HD 772

## Mounting Instructions

# MOUNTING INSTRUCTIONS

## **Warning!**

*We strongly recommend to let an Öhlins dealer install this product.*

## **Warning!**

*If you work with a lifted vehicle, make sure that it is safely supported to prevent it from tipping over.*

## **Note!**

*When you work with this product, see the vehicle service manual for vehicle specific procedures and important data.*

## **Note!**

*Before you install this product clean the vehicle.*

**1**

Put the motorcycle on a work stand so that the rear wheel barely touches the ground.

**2**

Loosen and remove the original shock absorber.

**3**

Install the Öhlins shock absorber in the same position as the original shock absorbers. The fill screw pointing towards the rear.

## **Note!**

*Lower the vehicle so that the suspension is slightly compressed before you tighten the screws.*

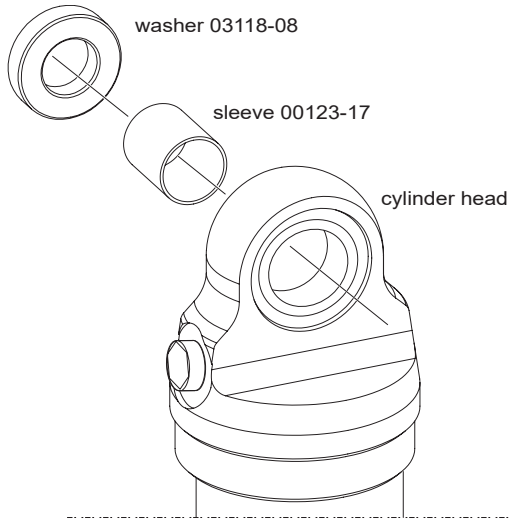
## **Caution!**

*Make sure that you tighten all screws to the correct torque and that nothing fouls or restricts movement of the shock absorber/front fork/steering damper when the suspension is fully compressed or extended.*

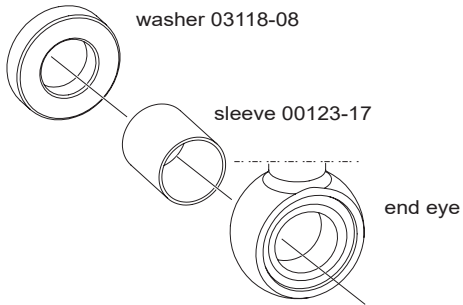
# MOUNTING INSTRUCTIONS

1

wheel side



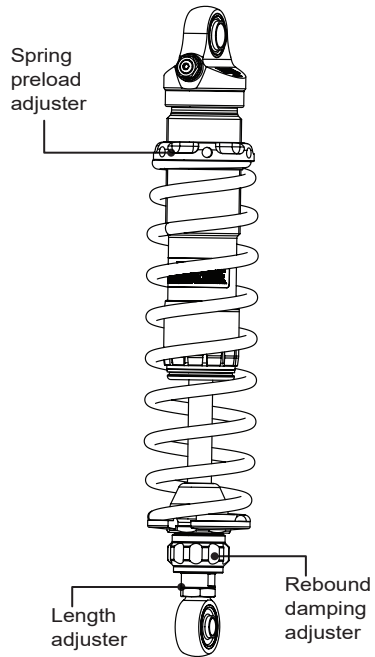
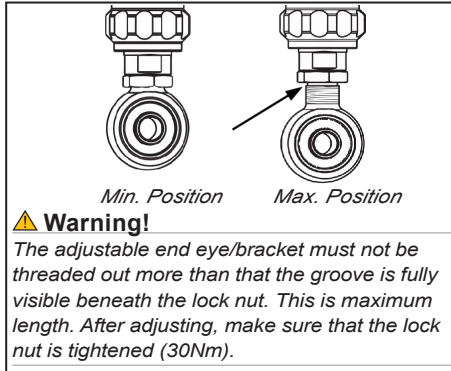
wheel side



# ADJUSTMENTS

## ⚠ Warning!

Before you ride/drive, always make sure that the setup is according to the recommended setup data. Read about adjustments and setting up in the Öhlins Owner's Manual before you make any adjustments. Contact an Öhlins dealer if you have any questions about setting up.



# SETUP DATA

## Recommended set-up

Spring Preload.....	13 mm.
Rebound adjuster .....	20 Clicks

## Shock absorber data

Length .....	329 <sup>+5</sup> / <sub>-5</sub> mm.
Stroke .....	77 mm.

## Spring

Part No .....	66420-026
Free spring length.....	200 mm.
Spring rate.....	26 N/mm
Preload adj.range.....	[0-48] mm

👁 Öhlins products are subject to continuous improvement and development, therefore, although these instructions include the most up-to-date information available at the time of printing, minor updates may occur.

To find the latest information contact an Öhlins distributor. Please contact Öhlins if you have any questions regarding the contents in this document.

Part no. MI\_HD772\_4  
Issued 2020-03-26

© Öhlins Asia Co. Ltd. All rights reserved. Any reprinting or unauthorized use without the written permission of Öhlins Racing AB is prohibited.

Öhlins Asia Co. Ltd  
700/937 Moo5, Tambol Nongkhaga,  
Amphur Phantong, Chonburi Province  
20160 Thailand



[www.ohlins.com](http://www.ohlins.com)