

👁 Note!

Please note that this image is a general representation of the product and may differ slightly from your product.

👁 Note!

Please note that during storage and transportation, especially at high ambient temperature, some of the oil and grease used for assembling may leak and stain the packaging. This is in no way detrimental to the product, wipe off the excessive oil/grease with a cloth.

Kit Contents

Description	Part No	Pcs
Shock absorber	KA035	1
ECU	21740-02	1
Wire harness	21770-02	1
Tie rap	00231-01	4
Tie rap	00231-05	5
Tie rap holder	21300-01	3
Sticker Mechatronic sys	00191-46	2
Sticker set Öhlins		1
Sticker memo notes	01180-01	
Owner's manual	07242-03	1

👁 Note!

Before installing this product, check the contents of the kit. If anything is missing, please contact an Öhlins dealer.

⚠ Warning!

Before installing this product, read the Öhlins Owner's Manual. The shock absorber/front fork/steering damper is an important part of your vehicle and will affect the stability.

Shock Absorber for Kawasaki ZX10R

KA 035

Mounting Instructions



MOUNTING INSTRUCTIONS

Warning!

It is advisable to have an Öhlins dealer install the shock absorber/front fork/steering damper.

Warning!

If working on a raised vehicle, ensure it is securely supported so that it will not tip.

Note!

Before mounting this product clean the vehicle thoroughly.

Note!

When working on this product, always see the Vehicle Service Manual for vehicle specific procedures and important data.

1

Put the motorcycle on a workstand so that the rear wheel barely touches the ground.

2

Remove the seat and tank.

3

Remove the lower and the upper screws of the original shock absorber.

4

Remove the original shock absorber by lifting it up from the top of the vehicle.

5

Install the Öhlins shock absorber. First, fasten the upper screw, then the lower. Use the original screws, do not tighten yet.

Note!

Lower the vehicle so that the suspension is slightly compressed before tightening the screws.

6

Tighten the upper and the lower screws.

7

Install the hydraulic preload adjuster on the inside of the silencer mounting point. Use the original screw and nut. Fasten the hose with the tie-raps (00231-01) provided in this kit.

8

Mount the ECU on the toolkit bag under the passenger seat using its rubber band.

9

Connect the big connector marked "DIAG" to its white counterpart in the standard harness.

Warning!

Do not connect "DIAG" to the black socket.

10

Route the two connectors "RC" and "RR" forward along the left side of the rear subframe towards the shock absorber.

11

Connect the "RC" contact to "C" on the shock absorber (the one closest to the link) and connect the "RR" contact to "R" (the one closest to the spring).

12

Fasten the harness using tie-raps and tie-rap holders provided.

13

Reinstall the tank and seat.

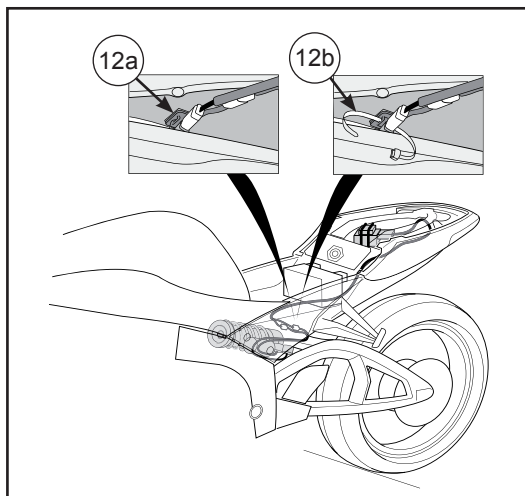
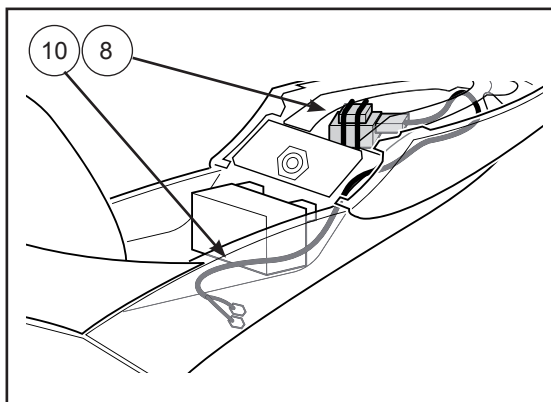
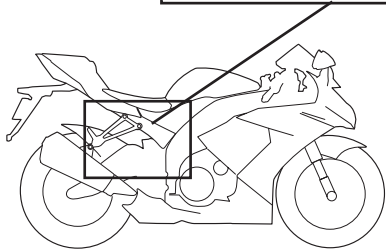
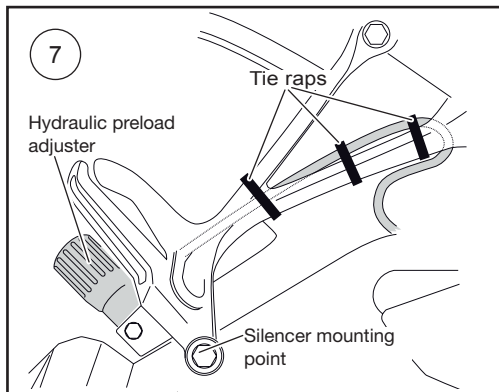
Caution!

Make sure to bend the hose to the hydraulic preload adjuster away from the swing arm.

Caution!

Ensure that all screws are tightened to the correct torque and that nothing fouls or restricts movement of the shock absorber/front fork/steering damper when the suspension is fully compressed or extended.

MOUNTING INSTRUCTIONS

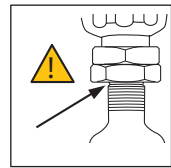
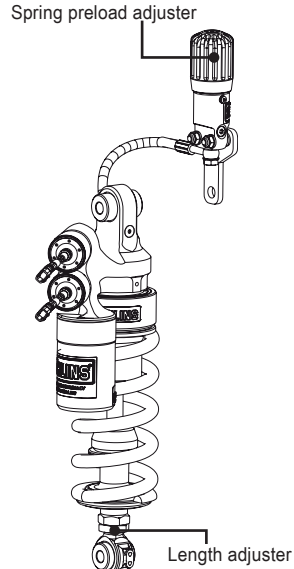


ADJUSTMENTS

⚠ Warning!

Before riding, always make sure that the basic settings made by Öhlins are according to recommended Set-up Data. Read about adjustments and setting up in the Öhlins Owner's Manual before you make any adjustments. Contact an Öhlins dealer if you have any questions about setting up.

The damping in this EC-Shock absorber is continuously adjusted according to the riding style. Depending on which power mode (Full, Medium, Low) that is selected on the handle bar, the damping is biased towards comfort on "Low" and towards traction and handling on "Full".



SET-UP DATA

Length	309 ⁺⁶ / ₀	mm	Free sag R1-R2	20	mm
Stroke	59	mm	Ride height R1-R3	32	mm
Spring preload	15	mm	Free sag F1-F2	30	mm
Spring	21040-39		Ride height F1-F3	40	mm
	110	N/mm			
Free spring length	160 ⁰ / _{.3}	mm			

👁 Öhlins products are subject to continuous improvement and development, therefore, although these instructions include the most up-to-date information available at the time of printing, minor updates may occur.

To find the latest information contact an Öhlins distributor. Please contact Öhlins if you have any questions regarding the contents in this document.

Part no. MI_KA035_4
Issued 2017-01-01



© Öhlins Racing AB. All rights reserved. Any reprinting or unauthorized use without the written permission of Öhlins Racing AB is prohibited.

Öhlins Racing AB
Box 722
S-194 27 Upplands Väsby, Sweden
Phone +46 8 590 025 00
fax +46 8 590 025 80



www.ohlins.com